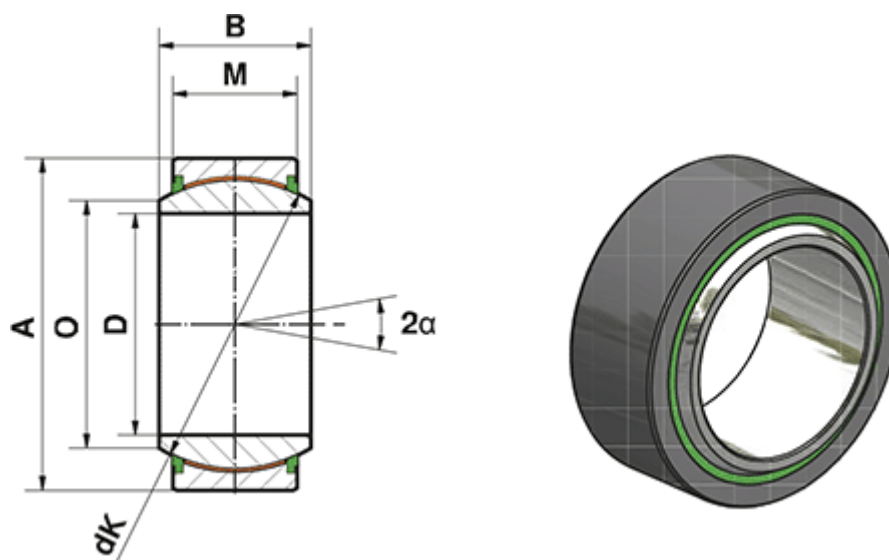


Article number: 03445035

Description: Fluro Heavy Duty Spherical Plain Bearing GE 35 EW-2RS  
Hole Ø35

Note: 35

## Measures



A	= 55	Static load C0 (kN) = 350
a (degrees)	= 6	Weight (g) = 220
B	= 25	
D	= 35	
dk	= 47	
Dynamic load C (kN)	= 210	
M	= 20	
O	= 39.7	